

Product Datasheet



The global certified BLD-600-C is a dual stage extremely wide input smart LED driver with **independent multi-channel** outputs. 10kV surge protection level, 100khour long life and 7-year warranty provide high confidence to luminaire users. All around protections including digital OTP with auto-recovery secure 24hour non-stop operation for luminaires.

- Stadium
- Flood
- Harbor



- Features 2
- Model List 2
- Technical Data 3
- Safety/EMC Compliance 4
- Dimming 5
- Programming 6
- Lifetime vs. Case Temperature 7
- Power Factor vs. Load 7
- THD vs. Load 8
- Efficiency vs. Load 8
- Inrush Current 9
- Dielectric Strength 9
- Tc Point 10
- Packaging Information 10
- Mechanical Design 11
- Output Operation Range 13
- Revision History 13

600W, 120-277Vac Input, RGBW Quad Output LED Driver

■ Features

- Absolute Supply Voltage: 180-528Vac
- Great Surge Immunity 10kV
- 93% Efficiency Max.
- Low Inrush Current
- 100,000Hour Life @ Tc=75°C
- 7 Year Warranty @ Tc<=75°C
- Output Current Programmability
- Live Broadcasting Level Low Ripple
- DMX/RDM/DALI2.0 Dimmable
- Fast Dynamic Response
- DALI Part 150, 250 Support
- DALI Type 6 (SimplySnap Compatible)
- Global Certified Model Available
- IP67/IP66 Rated Waterproof
- Safety according to UL8750, EN 61347-1, 61347-2-13, 62384

■ Model List

Model Number	Input Voltage Range	Output Power	Output Voltage	Full Power Settable Current Min	Full Power Settable Current Max	Certification
BLD-600-C360-XYZ-NNNNS4	100-305Vac	P1: 150W	110-214Vdc	0.7A	0.9A	UL/FCC/CE
		P2: 150W				
		P3: 150W				
		P4: 150W				

XY=	Dimming Method	Programmable	Vaux	Dim-off
AN	DALI2.0/DT6	Cable	24V 150mA	√
MN	DMX512 or RDM	Cable	-	√

Z=	U	V	S	W	D
Input Cable	3 pin UL cable with ground	3 pin UL cable with ground	3 pin VDE cable with ground	3 pin VDE cable with ground	2 pin VDE cable without ground
Output Cable	5 pin UL cable without Ground	6 pin UL cable with ground	5 pin VDE cable without ground	6 pin VDE cable with ground	5 pin VDE cable without ground
Certified Input Voltage Range	UL Listed Class P FCC 120-277Vac	UL Listed Class P FCC 120-277Vac	Class I 120-277Vac	UL Recognized Class I 120-277Vac	Class I 120-277Vac

■ Technical Data

Input Voltage	100-305Vac or 127-420Vdc, 380Vac for 2 hours
Input Frequency	47~63Hz
Power Factor	>0.9@60-100%load, refer to PF vs. Load curve
THD	<15%@60-100%load, refer to THD vs. Load curve
Input Current	5.5Amax@120Vac & Full-Load, 2.4Amax@277Vac & Full-Load
Inrush Current	See Inrush Current Section in the datasheet
Leakage Current	0.75MIU max @277Vac 60Hz, UL8750 0.7mA max @240Vac 50/60Hz, IEC60598-1
Input Under Voltage	Shut down and auto-restart
Surge Protection	Line to line 6kV, line to ground 10kV, IEC 61000-4-5
Current Accuracy	±2%lo for programmable mode
Ripple Current	lpk-pk: low frequency (<=3kHz) 2%lo max, high frequency (>3kHz) 15%lo max
TLA (Temporal Light Artifacts)	PstLM<0.02, SVM<0.05
Percent Flicker	1% max. Broadcasting level, GB/T-38539-2020
Setup Time	1.2s max
Overshoot	10% lo max & LED Load
Output Over Voltage	120% Vomax, typ.
Short Circuit	Auto recovery. The output recovers when short is removed.
Over Temperature	Lower the output current when $T_c \geq 105 \pm 10^\circ\text{C}$; Auto Recovery When $T_c \leq 70 \pm 10^\circ\text{C}$
Operating Temperature	Case Temperature $T_c = -40^\circ\text{C} \sim +90^\circ\text{C}$; 10%RH ~ 100%RH
Storage Temperature	$-40^\circ\text{C} \sim +85^\circ\text{C}$; 5%RH ~ 100%RH
MTBF	$\geq 320,000$ hours, 75°C case temperature (MIL-HDBK-217F)
Lifetime	$\geq 100,000$ hours, 75°C case temperature, refer to life vs. T_c curve
Case Temperature	90°C max, marked in the T_c point of label
Dimension	287x 125 x 49 by mm (body), 312 x 125 x 49 by mm (endcaps included)
Net Weight	3100g
Packing	See Package Information Section in the datasheet

Notes: Unless specified, all the test results are measured in 25°C room temperature.

■ Safety/EMC Compliance

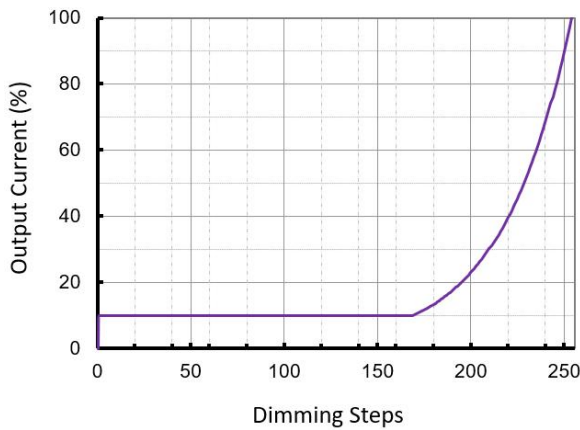
Safety Standards	Description
UL8750	Light emitting diode(LED) equipment for use in lighting products
UL1012/1310	Power units other than class 2 / Class 2 power units
IEC 61347-1	Lamp control gear Part 1: general and safety requirements
IEC 61347-2-13	Lamp control gear Part 2-13: particular requirement for d.c. or a.c. supplied electronic control gear for LED modules
IEC 62384	DC or AC supplied electronic control gear for LED modules - Performance requirements
IEC 55015/FCC Part 15	Conducted emission test & radiated emission test; ANSI C63.4:2009 Class B
IEC 61000-3-2	Harmonic current emissions; Class C
IEC 61000-3-3	Voltage fluctuations & flicker
IEC 61000-4-2	Electrostatic discharge (ESD): 8 kV air discharge, 4 kV contact discharge
IEC 61000-4-3	Radio frequency electromagnetic field susceptibility test (RS)
IEC 61000-4-4	Electrical fast transient (EFT)
IEC 61000-4-5	Surge immunity test
IEC 61000-4-6	Conducted radio frequency disturbances test (CS)
IEC 61000-4-8	Power frequency magnetic field test
IEC 61000-4-11	Voltage dips
IEC 61547	Electromagnetic immunity requirements applies to lighting equipment

■ Dimming

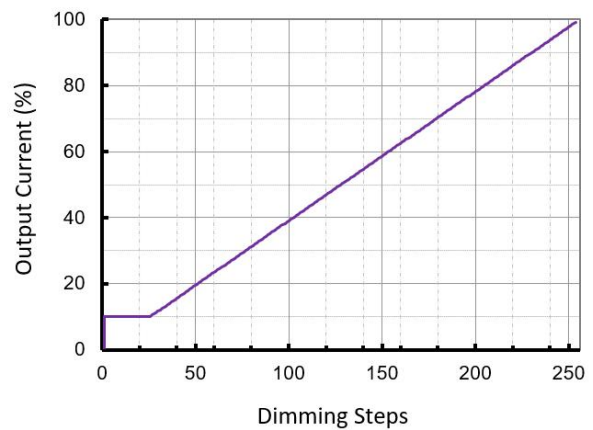
DALI Interface Standard	IEC62386, part 101,102,207,150,250		
DA1,DA2 High Level	9.5	16	22.5
DA1,DA2 Low Level	-6.5	0	6.5
DA1,DA2 Current	0		2mA
Default Memory Bank 1 CCT Value (Address 0x22 Definition)	CH1: Red, 0x01, CH2: Green, 0x02, CH3: Blue, 0x03, CH4: White, 0x05 (SimplySnap Compatible)		
DMX+ & DMX- Voltage	-6V	6V	
DMX to Ground Resistance	25Mohm		
Logic 0/1 (DMX+ to DMX-) Threshold	0.2V		
Communication Baud Rate	250kbps		
Fast Dimming On-Off Transition	50ms		
Fast Dimming 10-100% Io Transition	30ms		
Flashing Speed	-	-	44fps

- DALI and DMX dimming curves

DALI Dimming Curve



DMX/RDM Dimming Curve

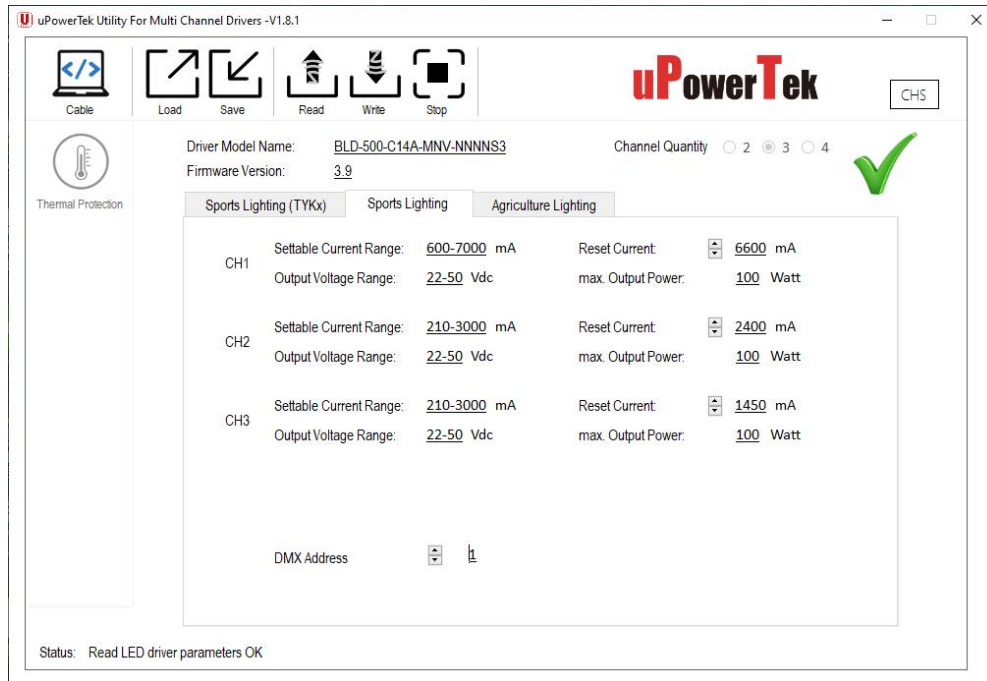


Note: Both DALI and DMX dimming curves can be customized to be linear or logarithmic as default.

■ Programming

- Programmable Functions

uPowerTek LED drivers offer a range of configurable functions to meet specific lighting requirements. The Output Current, Dimming Mode and DMX addressing can be set as basic programming functions. .

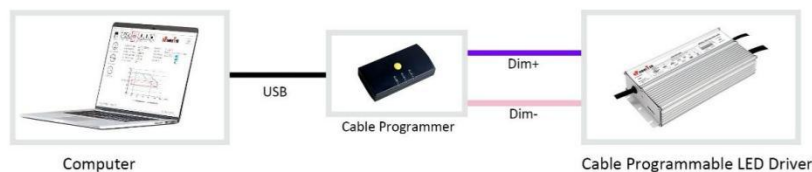


uPowreTek Programming Software Interface

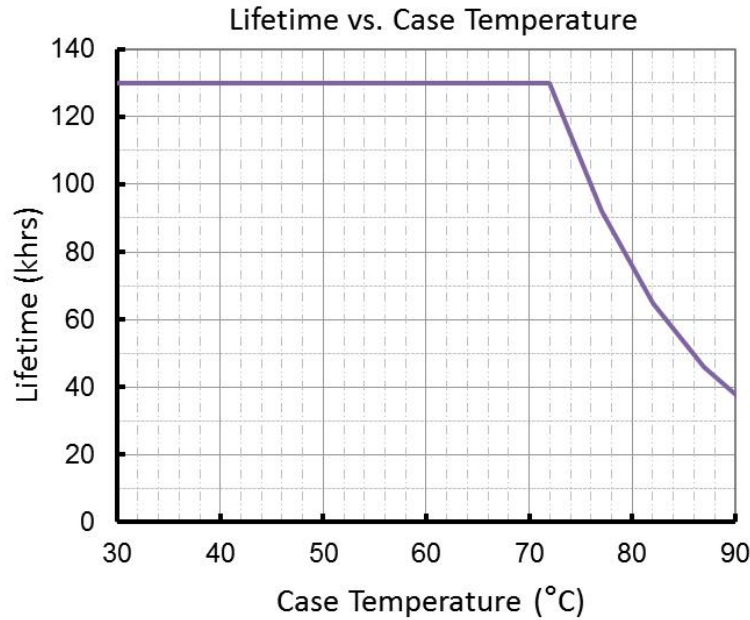
- Connection Guide

This guide provides simple connection diagrams to help users understand the programming system. For more detailed operating instructions, including step-by-step procedures and additional configurations, please visit our website. You can download the comprehensive user manual and necessary software from the following link:

<https://www.upowertek.com/download-2/>.

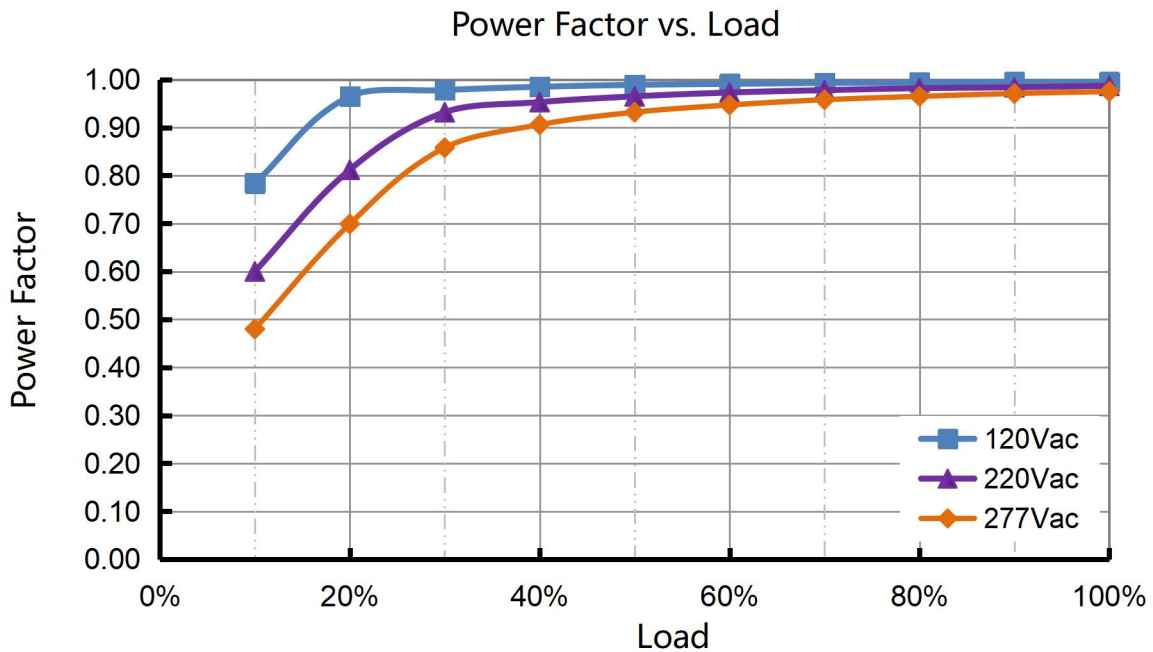


■ Lifetime vs. Case Temperature

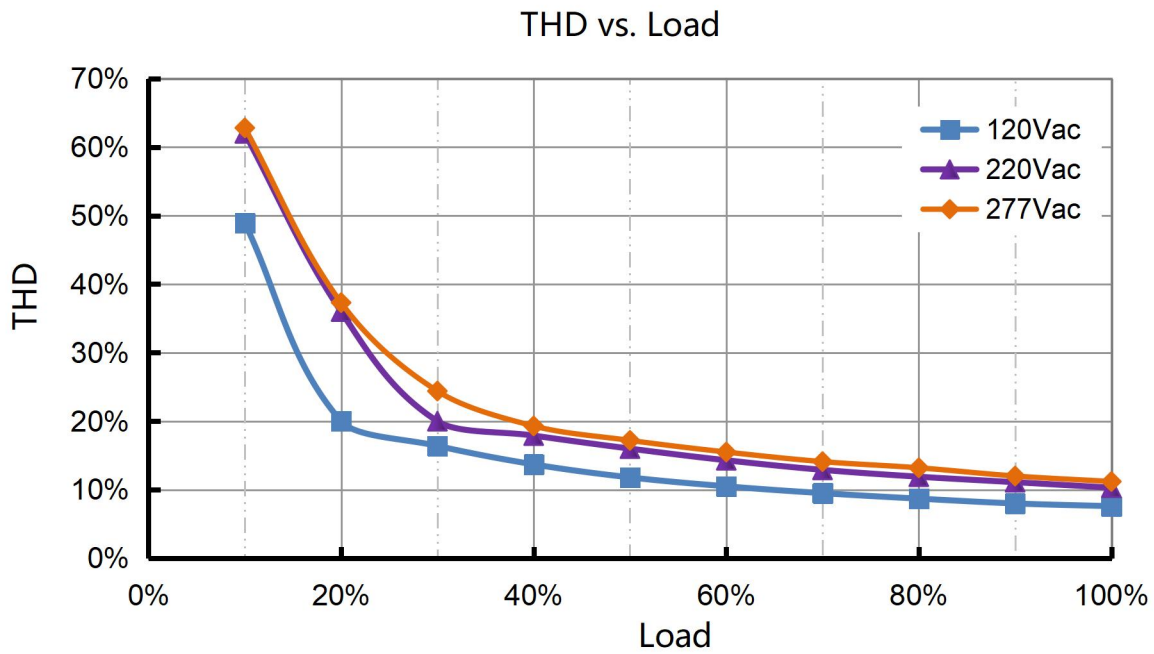


(End of Life: Maximum Failure Rate=10%)

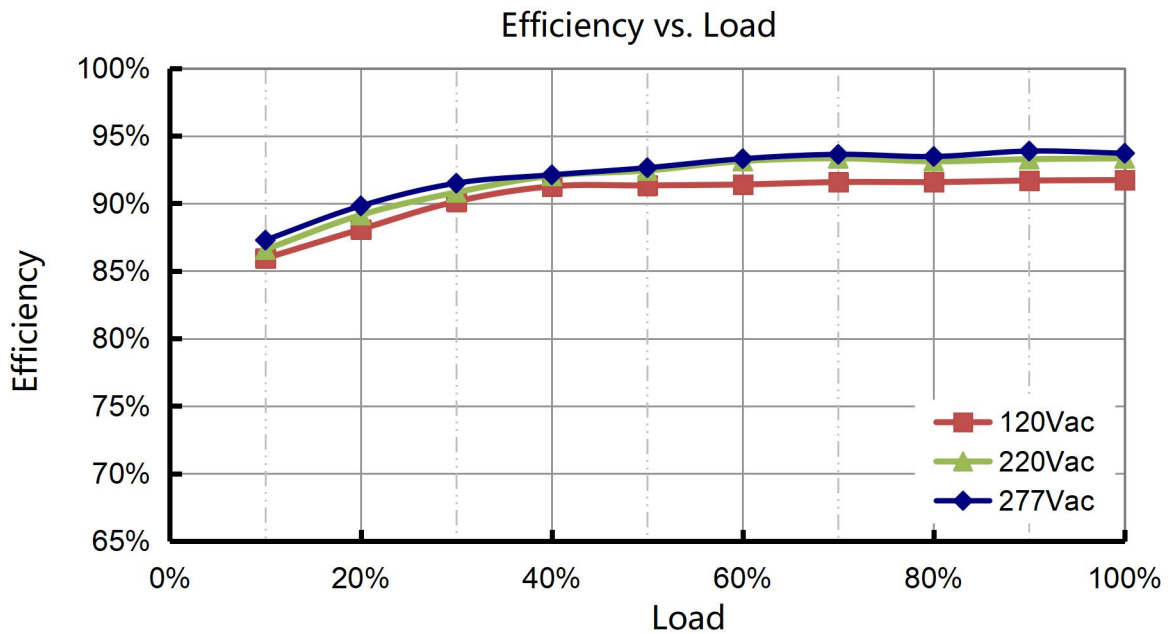
■ Power Factor vs. Load



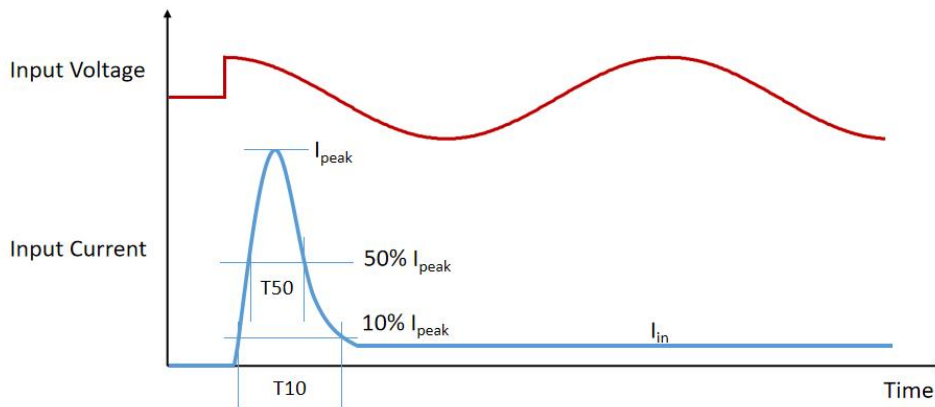
THD vs. Load



Efficiency vs. Load



Inrush Current



Input Voltage	I_{peak}	10% -10% T10 Duration	50% -50% T50 Duration
120Vac	3A	67ms	16ms
220Vac	5A	70ms	17ms
277Vac	8A	70ms	17ms

- MCB Suggestion

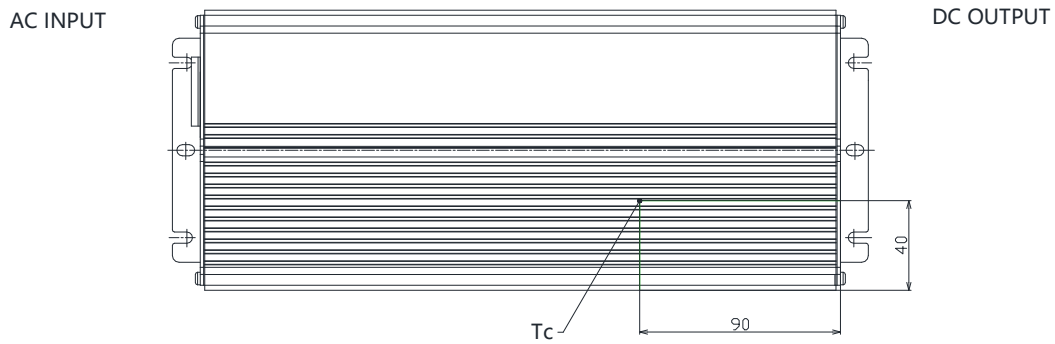
Type	B10	B16	B25	B32	C10	C16	C25	C32	D10	D16	D25	D32
Driver Quantity	1	2	3	4	1	2	4	5	2	3	5	6

Note: Calculated with MCB S200 series manufactured by ABB at 230Vac Input condition

Dielectric Strength

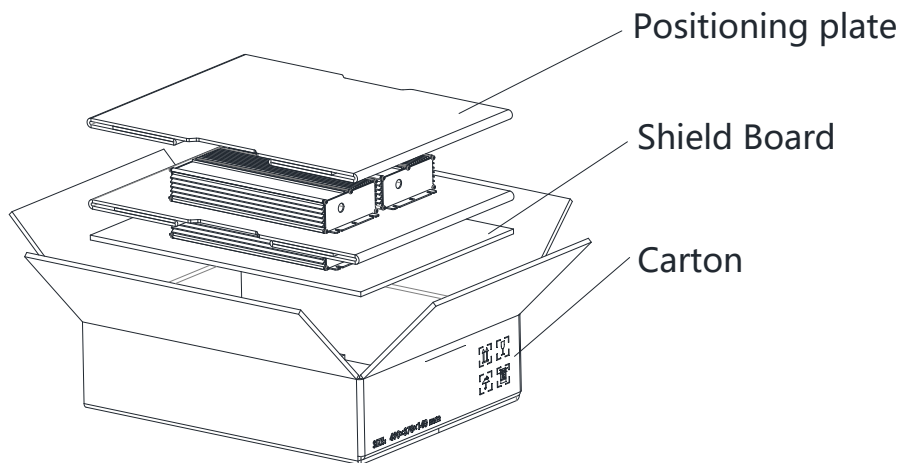
Unit: Vac	Input	Output	Dimming	Case
Input	-	3750	3750	1554
Output	3750	-	1554	1554
Dimming	3750	1554	-	1554
Case	1554	1554	1554	-

■ Tc Point



■ Packaging Information

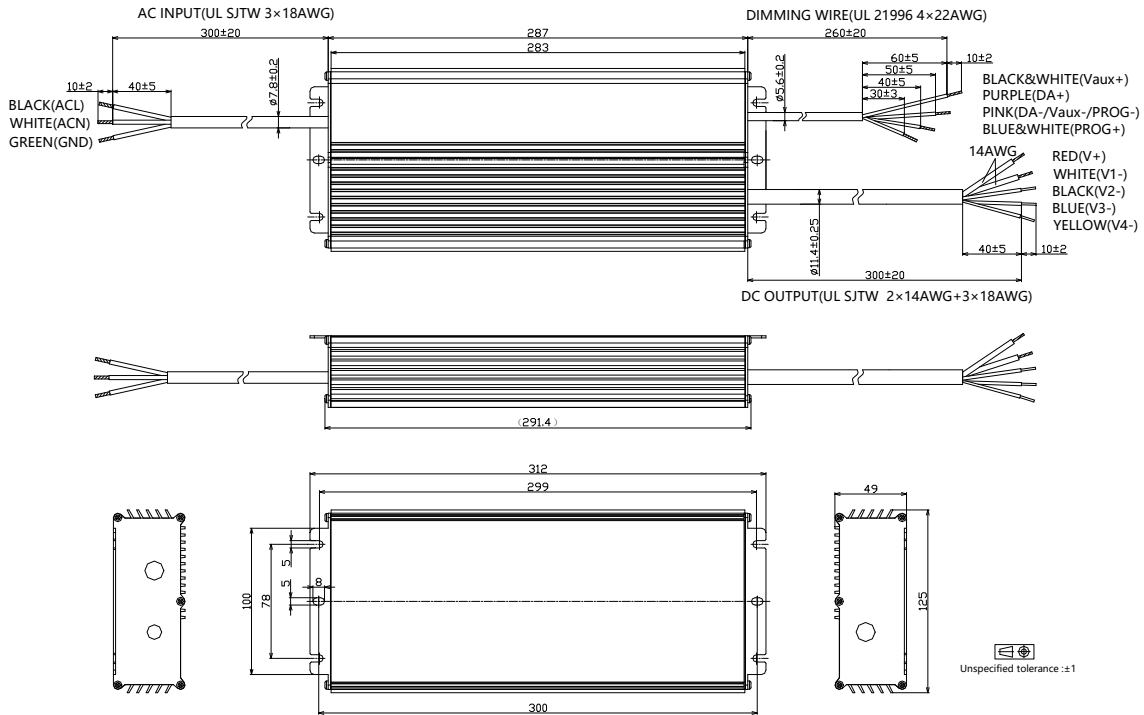
Typical Carton Dimension(L×W×H)	490×370×140 mm
Positioning plate	2pcs/carton
Shield Board	1pcs/carton
LED Drivers	4pcs/carton
Net Weight	12.4kg/ carton
Gross Weight	13.3kg/ carton



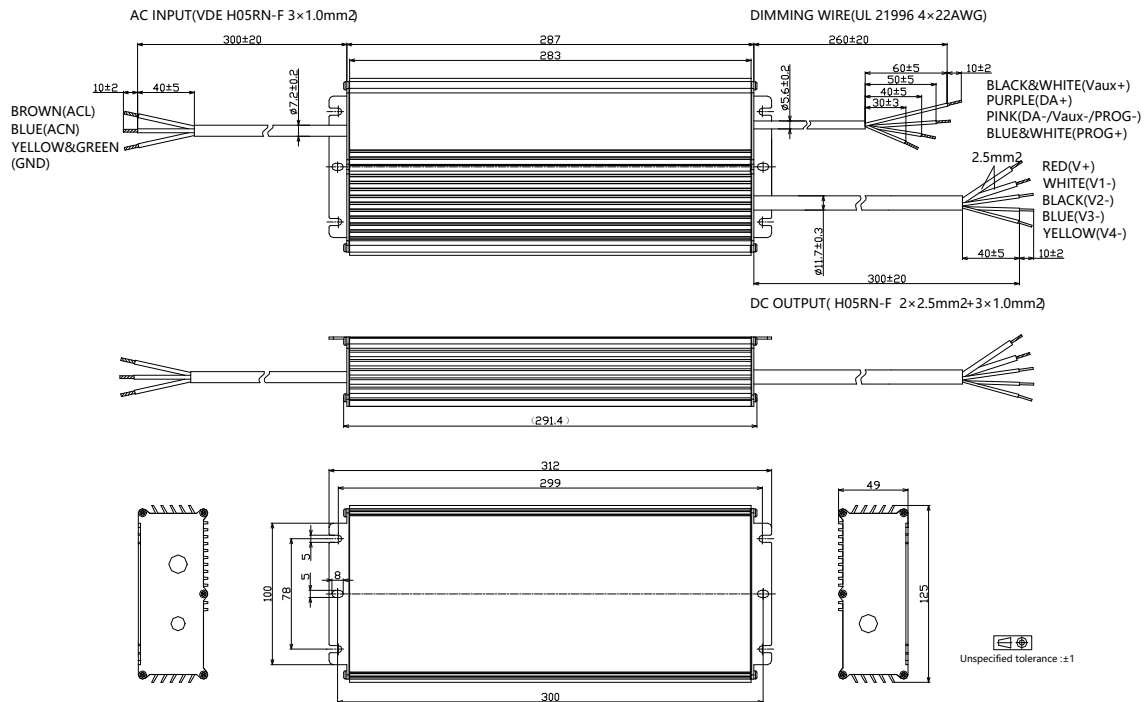
600W, 120-277Vac Input, RGBW Quad Output LED Driver

Mechanical Design

- BLD-600-CXXX-ANU-NNNNS4



- BLD-600-CXXX-ANS-NNNNS4



■ Output Operation Range

Model	Typical Set Output Current (mA)	Max Output Power (W) Total/CH	Output Voltage Min (V)	Output Voltage Max(V)	Minimum Dimming Current (mA)
-C360	900	600/150	110	167	90
	850	600/150	116	176	85
	800	600/150	124	188	80
	750	600/150	132	200	75
	700	600/150	141	214	70
	650	567/142	141	214	70
	600	533/133	141	214	70
	550	500/125	141	214	70
	500	467/117	141	214	70

	70	60/15	141	214	70
-C360	900	600/150	110	167	90

■ Revision History

Revision	Date	Contents
0.1	2024-9-4	New draft